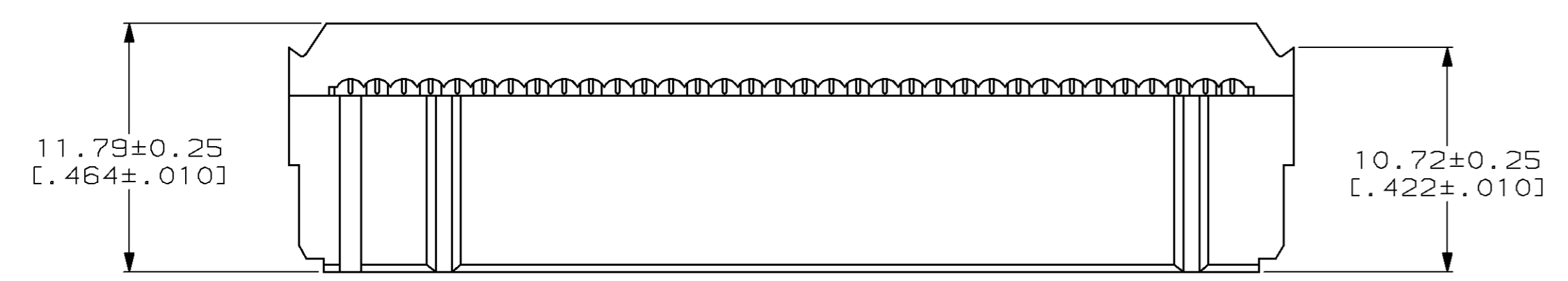
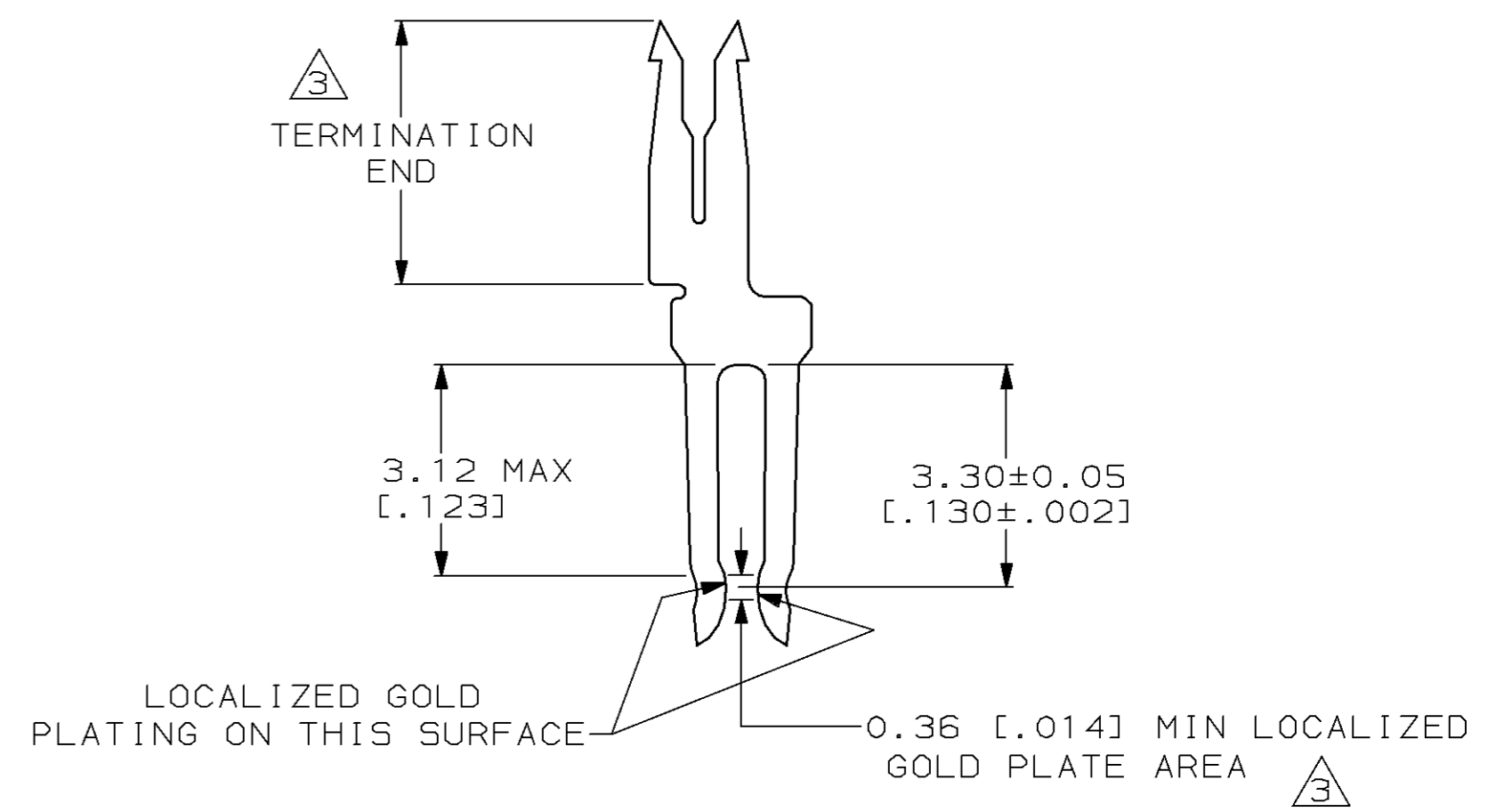
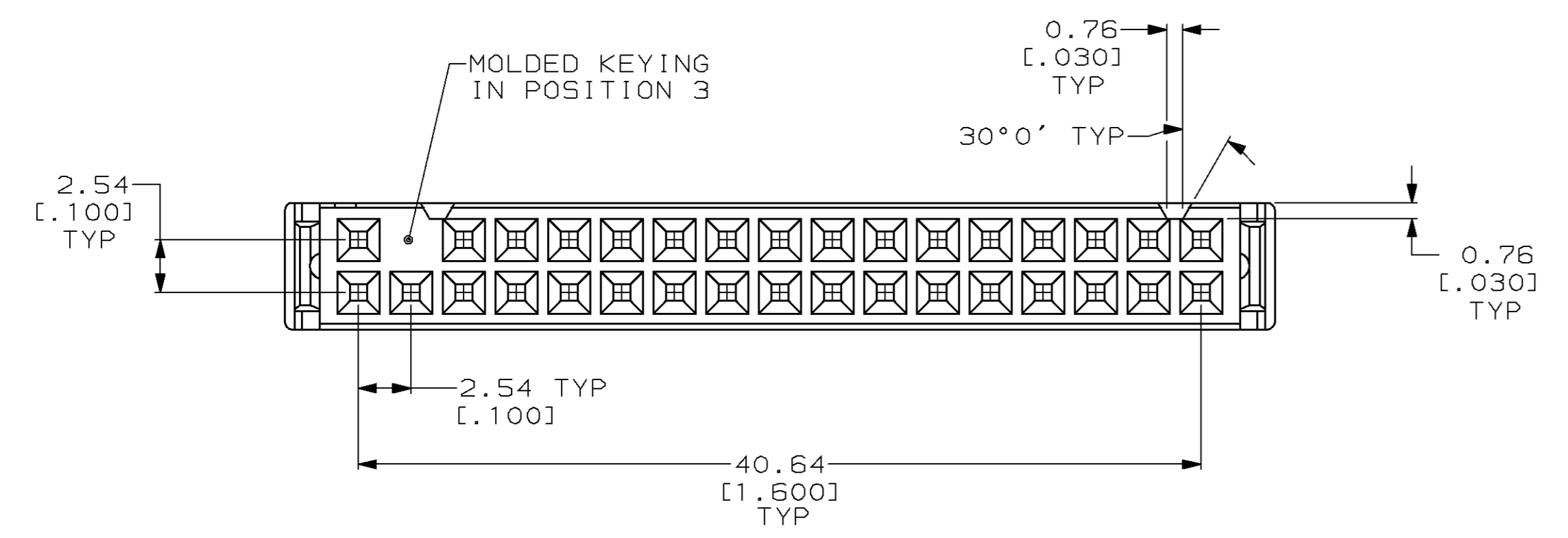
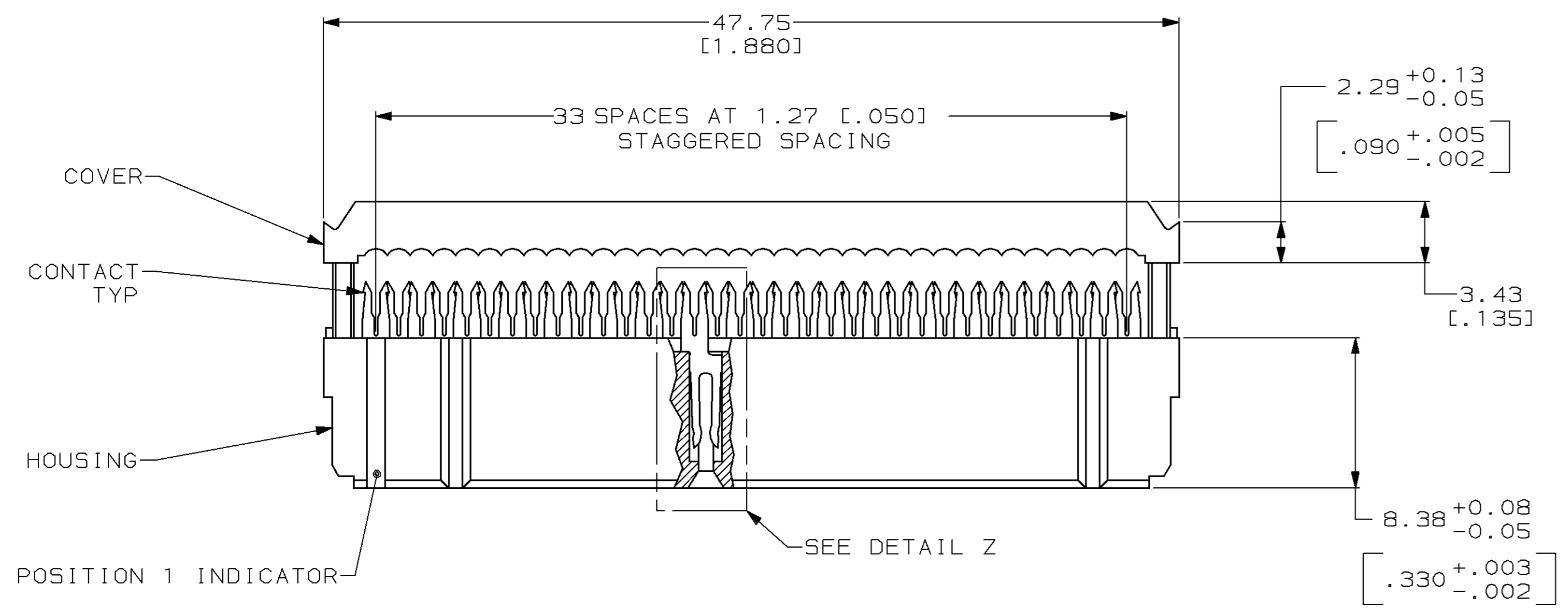
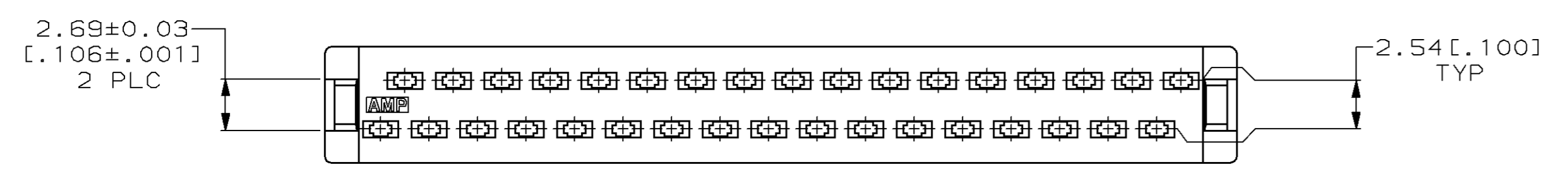


LOC		DIST		ZONE		LTR		REVISIONS		
AR	35	P	F					DESCRIPTION	DATE	APPD
								RELEASED -8 PER NPR 5019	1-5-94	-

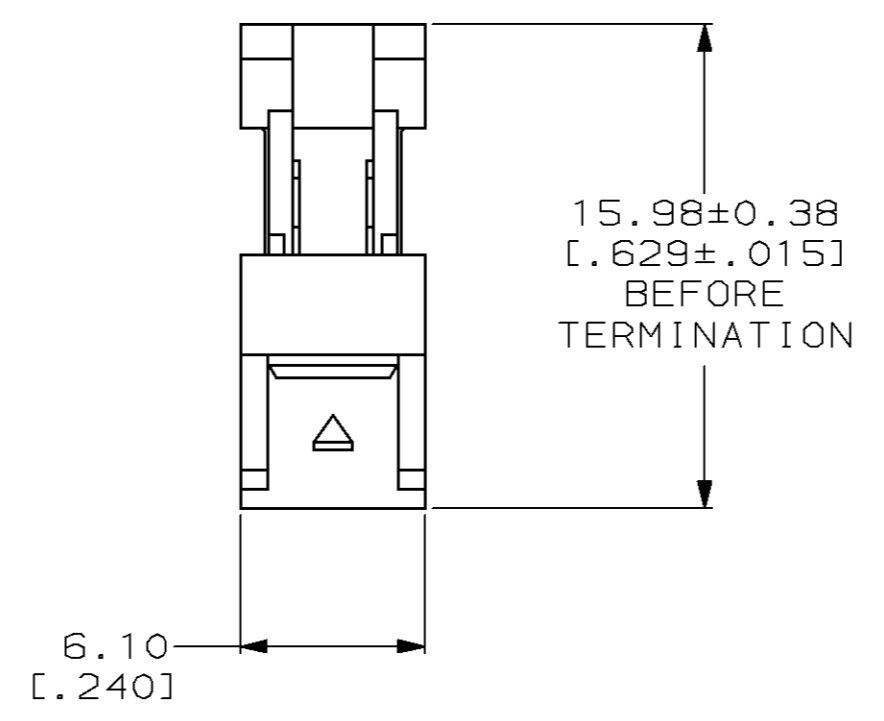
- 1 POLYESTER, BLACK, UL RATED 94V-0.
- 2 PHOSPHOR BRONZE PER QQ-B-750.
- 3 0.38μm [.000015] MIN GOLD ON LOCALIZED GOLD PLATE AREA, 2.54μm [.000100] MIN TIN-LEAD ON TERMINATION END, ALL OVER 1.27μm [.000050] MIN NICKEL ON ENTIRE CONTACT.



TERMINATED VIEW



DETAIL Z
SCALE 10:1
TYPICAL



DO NOT SCALE PRINT. UNLESS SPECIFIED DIMENSIONS IN mm [INCHES]		DR 01/05/94 D.GELTZ		AMP AMP Incorporated Harrisburg, PA 17105-3608	
TOLERANCES ON:		CHK 01/05/94 W.G.LENKER			
2 PLC DEC ± 0.13 [.005]		APPD 01/12/94 J.STINE		NAME	
3 PLC DEC ± -		APPD 01/12/94 D.HOFFMAN		RECEPTACLE, FULL COVER, MILITARY POLARIZATION, NOVO, AMP-LATCH™	
ANGLES ± 0°30'		PRODUCT SPEC 108-40000		PART NO	
MATERIAL		APPLICATION SPEC 114-40005		SIZE	CAGE CODE
MOLDED PARTS: 1		WEIGHT -		D	00779
CONTACTS: 2		SCALE 4:1		DRAWING NO	
CONTACTS: 3				C-111826	
				SHEET 1 OF 1	

THIS DRAWING IS A CONTROLLED DOCUMENT FOR AMP INCORPORATED. IT IS SUBJECT TO CHANGE AND THE CONTROLLING ENGINEERING ORGANIZATION SHOULD BE CONTACTED FOR THE LATEST REVISION.